



OVERBOARD VALVES SAVAL

OVERBOARD VALVE - SAVAL

Straight. Bronze PN 10/16

CHARACTERISTICS

Design:

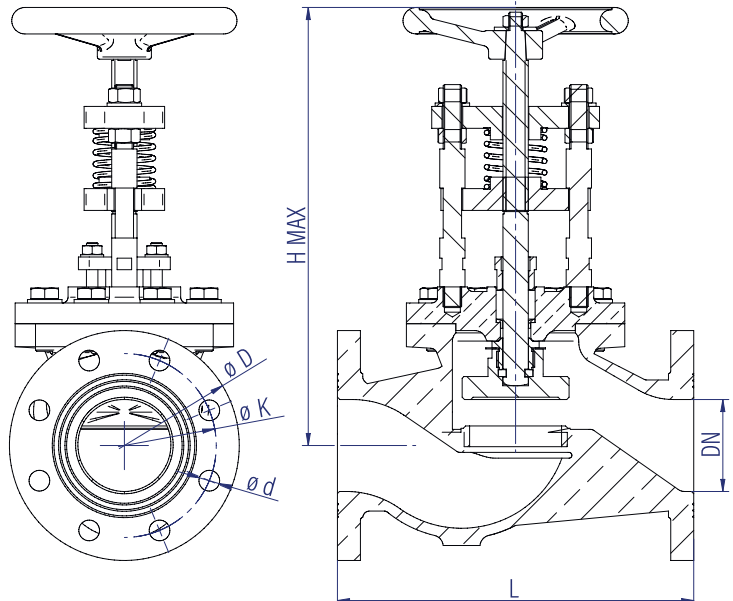
- EN 13709.
- Face to face EN 558 Series 1 (DIN 3202 F1).
- Flanges according to EN 1092.

OPTIONAL CHARACTERISTICS

- Possibility to be motorized.
 - Position indicator.
- Integrated Logistics Support (ILS):**
- Technical Documentation (accessible by QR).
 - Spare parts procurement (LCRS).
 - Logistics engineering (obsolescence/costs).

WORKING CONDITIONS

Size	DN	32 - 150	
Nominal pressure	PN	10	16
Maximum working pressure, kg/cm ²	Up to 100°C	10	16



■ Hydraulic tightness and seal test according to EN 12266-1. 100% Valves tested.

MATERIALS		Body/Bonnet	Seat	Stem	Bolting	Handwheel
Drawing	Type					
GD-708	Overboard	Bronze (Rg10)(DIN1705) CuAl10Fe5Ni5 (EN 1982/DIN 1714)	CuAl10Fe5Ni5 (EN 1982/DIN 1714)	CuAl10Fe5Ni5 (EN 1982/DIN 1714)	Stainless Steel A4	Aluminium

DIMENSIONS									
DN	ØD	Flanges	L	H Max	ød	øK	Number of holes	Weight	Code
mm	mm	PN	mm	mm	mm	mm		[kg]	SAVAL
32	140	10/16	180	320	18	100	4	14	SDGD708TABR16032
40	150	10/16	200	325	18	110	4	14,5	SDGD708TABR16040
50	165	10/16	230	325	18	125	4	16	SDGD708TABR16050
65	185	10/16	290	385	18	145	4	30	SDGD708TABR16065
80	200	10/16	310	385	18	160	8	35,5	SDGD708TABR16080
100	220	10/16	350	463	18	180	8	44	SDGD708TABR16100
125	250	10/16	400	610	18	210	8	83	SDGD708TABR16125
150	285	10/16	480	627	22	240	8	111	SDGD708TABR16150
200	340	10	600	825	22	295	8	191	SDGD708INBR10200
200	340	16	600	825	22	295	12	190	SDGD708INBR16200

OVERBOARD VALVE - SAVAL

Angle. Bronze PN 10/16

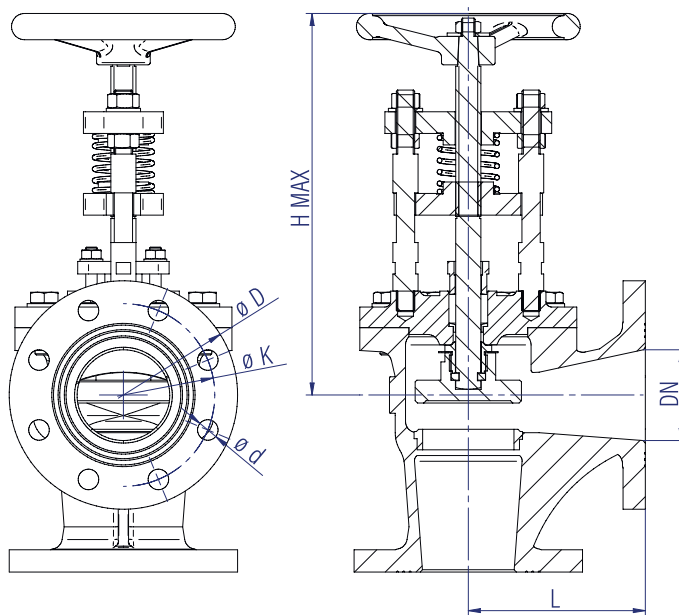
CHARACTERISTICS

Design:

- EN 13709.
- Face to face EN 558 Series 1 (DIN 3202 F1).
- Flanges according to EN 1092.

OPTIONAL CHARACTERISTICS

- Possibility to be motorized.
 - Position indicator.
- Integrated Logistics Support (ILS):**
- Technical Documentation (accessible by QR).
 - Spare parts procurement (LCRS).
 - Logistics engineering (obsolescence/costs).



- Hydraulic tightness and seal test according to EN 12266-1. 100% Valves tested.

WORKING CONDITIONS

Size	DN	32 - 150	
Nominal pressure	PN	10	16
Maximum working pressure, kg/cm ²	Up to 100°C	10	16

MATERIALS

Drawing	Type	Body/Bonnet	Seat	Stem	Bolting	Handwheel
GD-718	Overboard	Bronze (Rg10)(DIN1705) CuAl10Fe5Ni5 (EN 1982/DIN 1714)	CuAl10Fe5Ni5 (EN 1982/DIN 1714)	CuAl10Fe5Ni5 (EN 1982/DIN 1714)	Stainless Steel A4	Aluminium

DIMENSIONS

DN	ØD	Flanges	L	H Max	Ød	ØK	Number of holes	Weight [kg]	Code
mm	mm	PN	mm	mm	mm	mm			SAVAL
32	140	10/16	105	300	18	100	4	12	SDGD718TABR16032
40	150	10/16	115	300	18	110	4	13	SDGD718TABR16040
50	165	10/16	125	300	18	125	4	15,5	SDGD718TABR16050
65	185	10/16	145	335	18	145	4	28,5	SDGD718TABR16065
80	200	10/16	155	335	18	160	8	32,5	SDGD718TABR16080
100	220	10/16	175	402	18	180	8	40	SDGD718TABR16100
125	250	10/16	200	563	18	210	8	70,5	SDGD718TABR16125
150	285	10/16	225	550	22	240	8	88,5	SDGD718TABR16150
200	340	10	275	725	22	295	8	161	SDGD718INBR10200
200	340	16	275	725	22	295	12	160	SDGD718INBR16200