



## **QUICK CLOSING VALVES**

# QUICK CLOSING VALVE

Straight, Mild Steel PN 10/16

## CHARACTERISTICS

### Design:

- ◆ EN 13709 (DIN 3356 part 5).
- ◆ Face to face EN 558 series 1 (DIN 3202 F1).
- ◆ Flanges according to EN 1092 (DIN 2633 PN16).
- ◆ Thread 1/8" BSP Supplied with R1/8" BSP - Ø 8L conector.

## OPTIONAL CHARACTERISTICS

- ◆ With limit switch indicator.

### Integrated Logistics Support (ILS):

- ◆ Technical Documentation (accessible by QR).
- ◆ Spare parts procurement (LCRS).
- ◆ Logistics engineering (obsolescence/costs).

## WORKING CONDITIONS

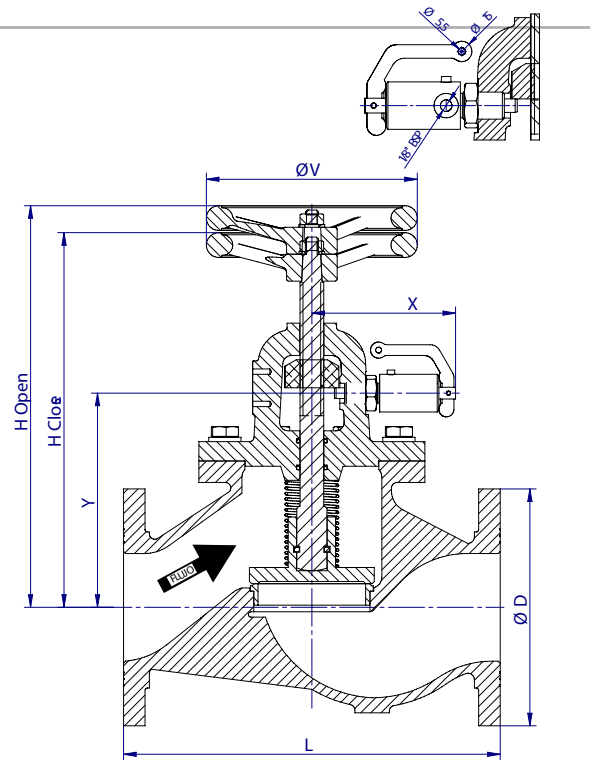
Size	DN	15-150
Nominal pressure	PN	10 16
Maximum working pressure, kg/cm <sup>2</sup>	Up to 100°C	9,4 15

## MATERIALS

DRAWING	BODY	SEAT	STEM	SCREWS	HANDWHEEL
G-202-CR	Mild Steel (GS-C25) (EN10213/DIN 17245)	Stainless Steel (AISI420)	Stainless Steel (AISI420)	Mild Steel 8.8	Aluminium

## DIMENSIONS

DN	ØD	L	Hc	Ho	ØV	X	Y	Weight	Code
mm	mm	mm	mm	mm	mm	mm	mm	[kg]	SAVAL
15	95	130	185	195	110	125	86	5	SDGI202TABR16015
20	105	150	190	197	110	125	88	6	SDGI202TABR16020
25	115	160	195	202	110	125	93	7	SDGI202TABR16025
32	140	180	252	266	150	125	117	12	SDGI202TABR16032
40	150	200	254	269	150	125	120	12	SDGI202TABR16040
50	165	230	262	277	150	125	128	14	SDGI202TABR16050
65	185	290	315	339	200	125	172	25	SDGI202TABR16065
80	200	310	315	339	200	125	172	31	SDGI202TABR16080
100	200	340	351	377	200	135	199	37	SDGI202TABR16100
125	250	400	442	473	300	205	256	71	SDGI202TABR16125
150	285	480	442	479	300	205	289	102	SDGI202TABR16150



- ◆ Hydraulic tightness and sealing test according to EN 12266-1. 100% Valves tested.

# QUICK CLOSING VALVE

Straight, Stainless Steel PN 10/16

## CHARACTERISTICS

### Design:

- ◆ EN 13709 (DIN 3356 part 5).
- ◆ Face to face EN 558 series 1 (DIN 3202 F1).
- ◆ Flanges according to EN 1092 (DIN 2633 PN16).
- ◆ Thread 1/8" BSP Supplied with R1/8" BSP - Ø 8L conector.

## OPTIONAL CHARACTERISTICS

- ◆ With limit switch indicator.

### Integrated Logistics Support (ILS):

- ◆ Technical Documentation (accessible by QR).
- ◆ Spare parts procurement (LCRS).
- ◆ Logistics engineering (obsolescence/costs).

## WORKING CONDITIONS

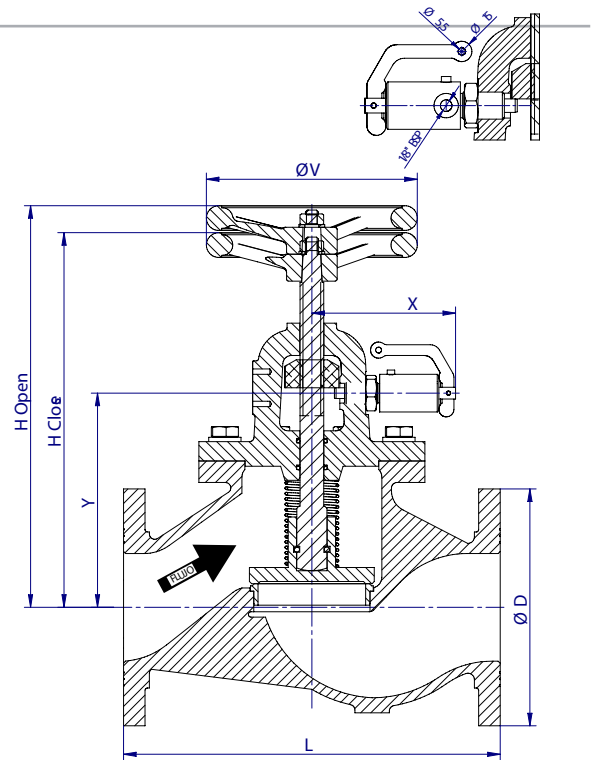
Size	DN	15-150	
Nominal pressure	PN	10	16
Maximum working pressure, kg/cm <sup>2</sup>	Up to 100°C	9,5	15,2

## MATERIALS

DRAWING	BODY	SEAT	STEM	SCREWS	HANDWHEEL
G-606-CR	Stainless Steel A316 (EN10088/DIN 17440)	Stainless Steel A316 (EN10088/DIN 17440)	Stainless Steel A316 (EN10088/DIN 17440)	Stainless Steel A4	Aluminium

## DIMENSIONS

DN	ØD	L	Hc	Ho	ØV	X	Y	Weight	Code
mm	mm	mm	mm	mm	mm	mm	mm	[kg]	SAVAL
15	95	130	185	195	110	125	86	5	SDGI606TABR16015
20	105	150	190	197	110	125	88	6	SDGI606TABR16020
25	115	160	195	202	110	125	93	7	SDGI606TABR16025
32	140	180	252	266	150	125	117	12	SDGI606TABR16032
40	150	200	254	269	150	125	120	12	SDGI606TABR16040
50	165	230	262	277	150	125	128	14	SDGI606TABR16050
65	185	290	315	339	200	125	172	25	SDGI606TABR16065
80	200	310	315	339	200	125	172	31	SDGI606TABR16080
100	200	340	351	377	200	135	199	37	SDGI606TABR16100
125	250	400	442	473	300	205	256	71	SDGI606TABR16125
150	285	480	442	479	300	205	289	102	SDGI606TABR16150



- ◆ Hydraulic tightness and sealing test according to EN 12266-1. 100% Valves tested.

# QUICK CLOSING VALVE

Straight, Nodular Cast Iron PN 10/16

## CHARACTERISTICS

### Design:

- ◆ EN 13789 (DIN 3356 part 5).
- ◆ Face to face EN 558 series 1 (DIN 3202 F1).
- ◆ Flanges according to EN 1092 (DIN 2633 PN16).
- ◆ Thread 1/8" BSP Supplied with R1/8" BSP - Ø 8L conector.

## OPTIONAL CHARACTERISTICS

- ◆ With limit switch indicator.
- ◆ **Integrated Logistics Support (ILS):**
  - ◆ Technical Documentation (accessible by QR).
  - ◆ Spare parts procurement (LCRS).
  - ◆ Logistics engineering (obsolescence/costs).

## WORKING CONDITIONS

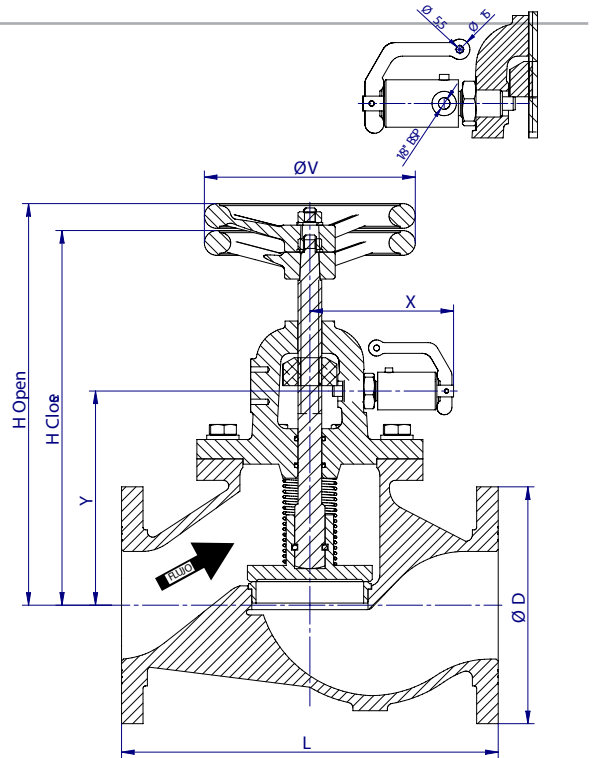
Size	DN	15-150	
Nominal pressure	PN	10	16
Maximum working pressure, kg/cm <sup>2</sup>	Up to 100°C	10	16

## MATERIALS

DRAWING	BODY	SEAT	STEM	SCREWS	HANDWHEEL
G-402-CR	Nodular Cast iron (GGG40.3) (GJS400-18-LT)	Stainelss Steel (AISI420)	Stainless Steel (AISI420)	Mild Steel 8.8	Aluminium

## DIMENSIONS

DN	ØD	L	Hc	Ho	ØV	X	Y	Weight	Code
mm	mm	mm	mm	mm	mm	mm	mm	[kg]	SAVAL
15	95	130	185	195	110	125	86	5	SDGI402TABR16015
20	105	150	190	197	110	125	88	5	SDGI402TABR16020
25	115	160	195	202	110	125	93	6	SDGI402TABR16025
32	140	180	252	266	150	125	117	11	SDGI402TABR16032
40	150	200	254	269	150	125	120	11	SDGI402TABR16040
50	165	230	262	277	150	125	128	14	SDGI402TABR16050
65	185	290	315	339	200	125	172	24	SDGI402TABR16065
80	200	310	315	339	200	125	172	28	SDGI402TABR16080
100	200	340	351	377	200	135	199	35	SDGI402TABR16100
125	250	400	442	473	300	205	256	67	SDGI402TABR16125
150	285	480	442	479	300	205	289	95	SDGI402TABR16150



◆ Hydraulic tightness and sealing test according to EN 12266-1.  
100% Valves tested.

# QUICK CLOSING VALVE

Angle, Mild Steel PN 10/16

## CHARACTERISTICS

### Design:

- ◆ EN 13709 (DIN 3356 part 5).
- ◆ Face to face EN 558 series 8 (DIN 3202 F32).
- ◆ Flanges according to EN 1092 (DIN 2633 PN16).
- ◆ Thread 1/8" BSP Supplied with R1/8" BSP - Ø 8L conector.

## OPTIONAL CHARACTERISTICS

- ◆ With limit switch indicator.
- ◆ **Integrated Logistics Support (ILS):**
- ◆ Technical Documentation (accessible by QR).
- ◆ Spare parts procurement (LCRS).
- ◆ Logistics engineering (obsolescence/costs).

## WORKING CONDITIONS

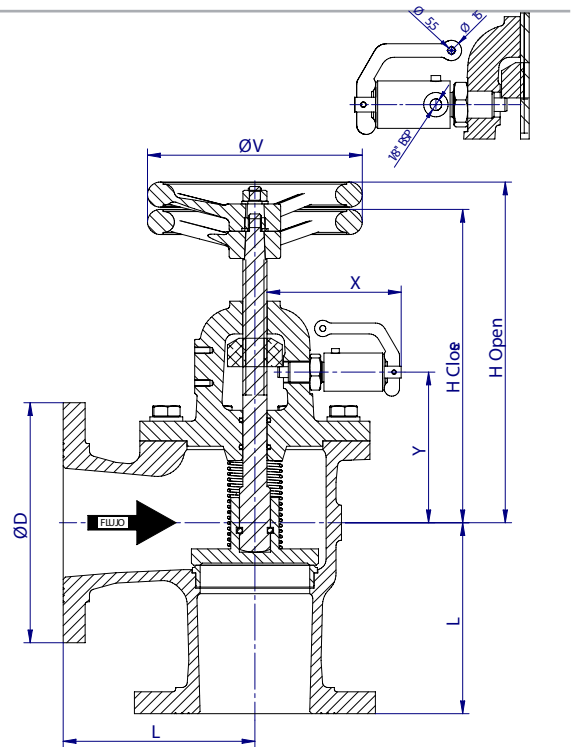
Size	DN	15-150	
Nominal pressure	PN	10	16
Maximum working pressure, kg/cm <sup>2</sup>	Up to 100°C	9,4	15

## MATERIALS

DRAWING	BODY	SEAT	STEM	SCREWS	HANDWHEEL
G-212-CR	Mild Steel (GS-C25) (EN10213/DIN 17245)	Stainless Steel (AISI420)	Stainless Steel (AISI420)	Mild Steel 8.8	Aluminium

## DIMENSIONS

DN	ØD	L	Hc	Ho	ØV	X	Y	Weight	Code
mm	mm	mm	mm	mm	mm	mm	mm	[kg]	SAVAL
15	95	75	175	182	110	125	73	5	SDGI212TABR16015
20	105	85	172	179	110	125	70	6	SDGI212TABR16020
25	115	90	170	177	110	125	68	6	SDGI212TABR16025
32	140	105	230	245	150	125	96	11	SDGI212TABR16032
40	150	115	225	241	150	125	92	12	SDGI212TABR16040
50	165	125	226	241	150	125	92	14	SDGI212TABR16050
65	185	145	270	292	200	125	125	24	SDGI212TABR16065
80	200	155	263	287	200	125	125	27	SDGI212TABR16080
100	200	175	290	316	200	135	138	34	SDGI212TABR16100
125	250	200	369	400	300	205	183	65	SDGI212TABR16125
150	285	225	360	401	300	205	212	82	SDGI212TABR16150



- ◆ Hydraulic tightness and sealing test according to EN 12266-1. 100% Valves tested.

# QUICK CLOSING VALVE

Angle, Stainless Steel PN 10/16

## CHARACTERISTICS

### Design:

- ◆ EN 13709 (DIN 3356 part 5).
- ◆ Face to face EN 558 series 8 (DIN 3202 F32).
- ◆ Flanges according to EN 1092 (DIN 2633 PN16).
- ◆ Thread 1/8" BSP Supplied with R1/8" BSP - Ø 8L conector.

## OPTIONAL CHARACTERISTICS

- ◆ With limit switch indicator.
- ◆ **Integrated Logistics Support (ILS):**
- ◆ Technical Documentation (accessible by QR).
- ◆ Spare parts procurement (LCRS).
- ◆ Logistics engineering (obsolescence/costs).

## WORKING CONDITIONS

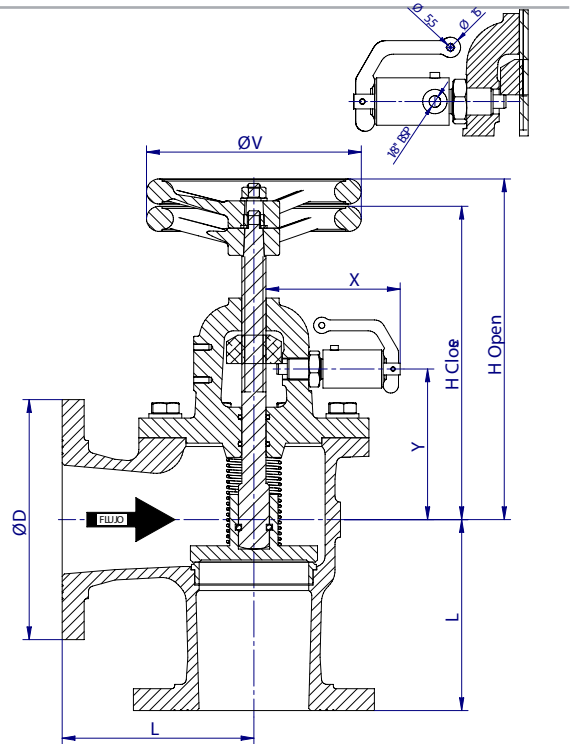
Size	DN	15-150	
Nominal pressure	PN	10	16
Maximum working pressure, kg/cm <sup>2</sup>	Up to 100°C	9,5	15,2

## MATERIALS

DRAWING	BODY	SEAT	STEM	SCREWS	HANDWHEEL
G-616-CR	Stainless Steel A316 (EN10088/DIN 17440)	Stainless Steel A316 (EN10088/DIN 17440)	Stainless Steel A316 (EN10088/DIN 17440)	Stainless Steel A4	Aluminium

## DIMENSIONS

DN	ØD	L	Hc	Ho	ØV	X	Y	Weight	Code
mm	mm	mm	mm	mm	mm	mm	mm	[kg]	SAVAL
15	95	75	175	182	110	125	73	5	SDGI616TABR16015
20	105	85	172	179	110	125	70	6	SDGI616TABR16020
25	115	90	170	177	110	125	68	6	SDGI616TABR16025
32	140	105	230	245	150	125	96	11	SDGI616TABR16032
40	150	115	225	241	150	125	92	12	SDGI616TABR16040
50	165	125	226	241	150	125	92	14	SDGI616TABR16050
65	185	145	270	292	200	125	125	24	SDGI616TABR16065
80	200	155	263	287	200	125	125	27	SDGI616TABR16080
100	200	175	290	316	200	135	138	34	SDGI616TABR16100
125	250	200	369	400	300	205	183	65	SDGI616TABR16125
150	285	225	360	401	300	205	212	82	SDGI616TABR16150



◆ Hydraulic tightness and sealing test according to EN 12266-1. 100% Valves tested.

# QUICK CLOSING VALVE

Angle, Nodular Cast Iron PN 10/16

## CHARACTERISTICS

### Design:

- ◆ EN 13789 (DIN 3356 part 5).
- ◆ Face to face EN 558 series 8 (DIN 3202 F32).
- ◆ Flanges according to EN 1092 (DIN 2633 PN16).
- ◆ Thread 1/8" BSP Supplied with R1/8" BSP - Ø 8L conector.

## OPTIONAL CHARACTERISTICS

- ◆ With limit switch indicator.

### Integrated Logistics Support (ILS):

- ◆ Technical Documentation (accessible by QR).
- ◆ Spare parts procurement (LCRS).
- ◆ Logistics engineering (obsolescence/costs).

## WORKING CONDITIONS

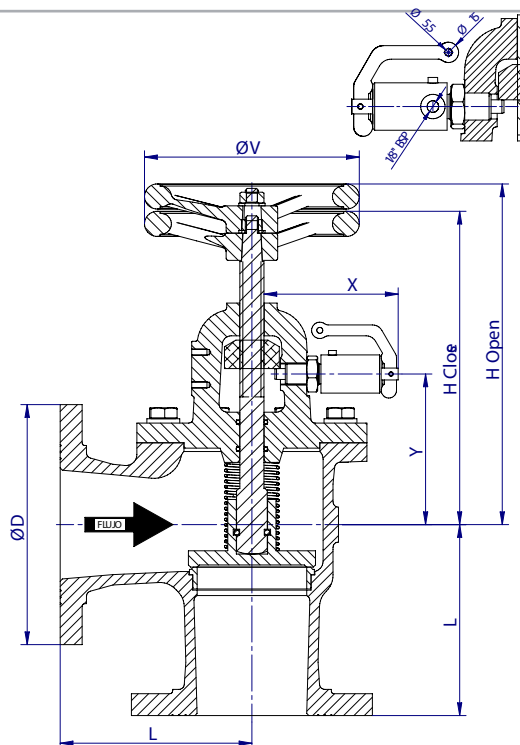
Size	DN	15-150	
Nominal pressure	PN	10	16
Maximum working pressure, kg/cm <sup>2</sup>	Up to 100°C	10	16

## MATERIALS

DRAWING	BODY	SEAT	STEM	SCREWS	HANDWHEEL
G-412-CR	Nodular Cast Iron (GGG40.3) (GJS400-18-LT)	Stainless Steel (AISI420)	Stainless Steel (AISI420)	Mild Steel 8.8	Aluminium

## DIMENSIONS

DN	ØD	L	Hc	Ho	ØV	X	Y	Weight	Code
mm	mm	mm	mm	mm	mm	mm	mm	[kg]	SAVAL
15	95	75	175	182	110	125	73	5	SDGI412TABR16015
20	105	85	172	179	110	125	70	5	SDGI412TABR16020
25	115	90	170	177	110	125	68	6	SDGI412TABR16025
32	140	105	230	245	150	125	96	10	SDGI412TABR16032
40	150	115	225	241	150	125	92	12	SDGI412TABR16040
50	165	125	226	241	150	125	92	13	SDGI412TABR16050
65	185	145	270	292	200	125	125	23	SDGI412TABR16065
80	200	155	263	287	200	125	125	26	SDGI412TABR16080
100	200	175	290	316	200	135	138	32	SDGI412TABR16100
125	250	200	369	400	300	205	183	65	SDGI412TABR16125
150	285	225	360	401	300	205	212	80	SDGI412TABR16150



- ◆ Hydraulic tightness and sealing test according to EN 12266-1. 100% Valves tested.